

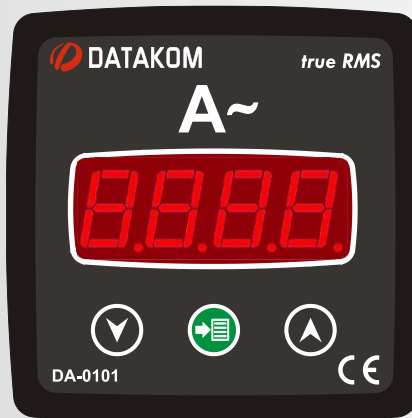
DA-0101 / DA-0103 DIGITAL AMMETERS

72x72 & 96x48mm SIZES

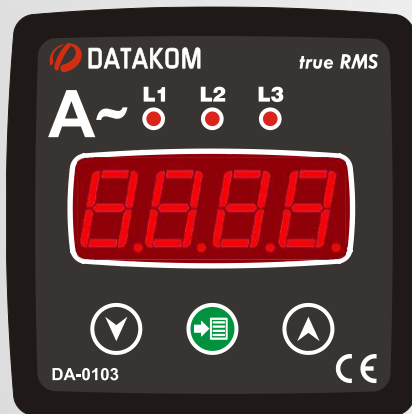
TRUE RMS



DA-0101
1 Phase Current



DA-0103
3 Phase Current



INTRODUCTION

These state-of-the-art panel meters are designed for accurate measurement of the AC RMS current in single-phase and three-phase systems.

Although they are mainly used in electrical panels, these devices can also be integrated in many other applications.

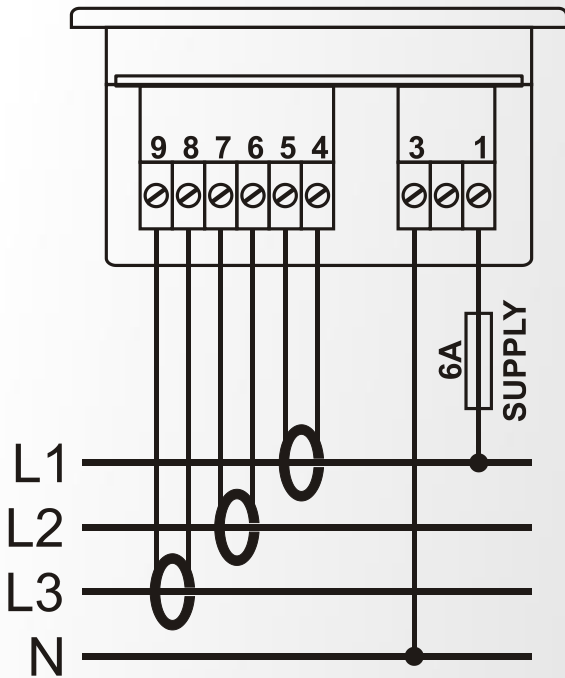
The current transformer ratio can be set between 5/5A and 5000/5A via front panel buttons.

Devices have separate inputs for supply and measurement.

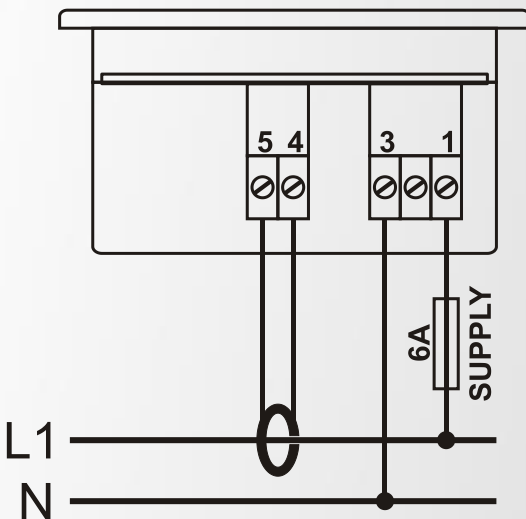
The **DA-0103** model allows both manual selection of the display channel and automatic scrolling.

CONNECTION DIAGRAM

DA-0103

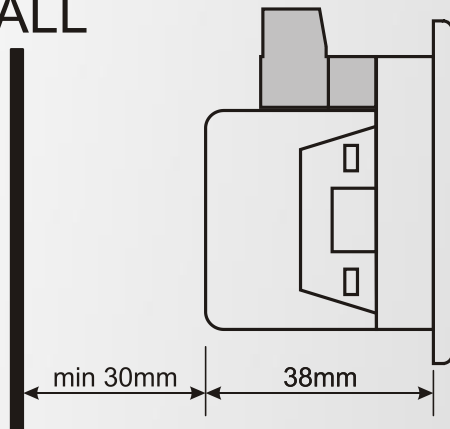


DA-0101



MOUNTING TOLERANCES

WALL



TECHNICAL SPECIFICATIONS

Power Supply Input: 170 - 275VAC
50 - 60Hz nominal ($\pm 10\%$)
Different AC/DC supply values available.

Measurement Inputs:
0.2 – 5.50 A AC
30 - 100 Hz

Accuracy: 0.5% + 1 digit

Power Consumption: < 1.5W

Burden: < 1VA per phase

Operating Temperature: -40°C ; +70 °C

Maximum Humidity: 95% non-condensing.

Degree of Protection: IP 54 (Front Panel)
IP 30 (Back panel)

Enclosure:
Non-flammable, ROHS compliant, high temperature ABS/PC (UL94-V0)

Installation:
Flush mounting with rear retaining brackets

Dimensions:
96x48 models: 102x54x41mm (WxHxD)
72x72 models: 78x78x41mm (WxHxD)

Panel Cutout Dimensions:
96x48 models: 92x44mm
72x72 models: 68x68mm

Weight: 125 gr

EU Directives Conformity:
2006/95/EC (low voltage)
2004/108/EC (EMC)

Norms of reference:
EN 61010 (safety requirements)
EN 61326 (EMC requirements)

PACKAGING INFORMATION

Pieces per Package: 24 Pcs

Package Size: 280 x 170 x 215mm (LxWxH)

Package Weight: 3.2 kg

 **DATAKOM**

